

## Corner Mount for thermal camera

**Material:** Aluminum

**Dimensions:** 126mm x 105mm x 250mm

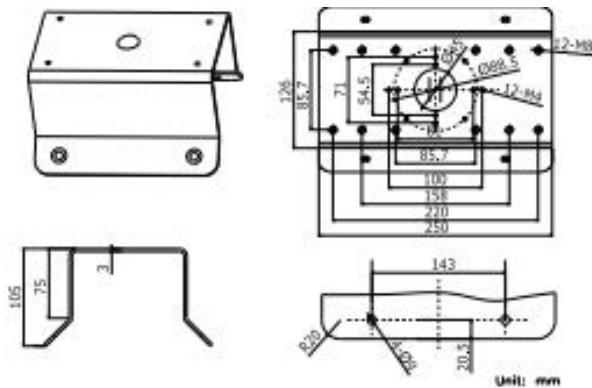
**Color:** White

**Type of Installation:** Corner mount

**Weight:** 1950g



### Dimensions (mm)



### Application

